

## ■ Power Amplifiers For Directional and Flow Control Valves

These power amplifiers are used to drive the proportional electro-hydraulic directional and flow control valves.

### ■ Model Number Designation

<b>SK1091</b>	<b>-D24</b>	<b>-10</b>
Series Number	Power Supply	Design Number
<b>SK1091</b>	<b>D24: 24 V DC</b>	<b>10</b>



### ■ Applicable to Valve

Name of Valve	Model Numbers
Directional and Flow Control Valve	03 EDFHG-04 06

### ■ Specifications

Model No.	SK1091-D24-10
Description	
Max. Output Current	1 A (10Ω Solenoid)
Max. Input Voltage	-10 V DC for SOL a +10 V DC for SOL b
Input Impedance	10 kΩ
Max. Gain	1 A / ±5 V
Dither	Variable
Delay Time Adjustment Range	0.15-3 s
Temperature Drift (Max.)	0.2 mA / °C
Power Supply	24 V DC (21-28 V Included Ripple)
Required Current	1.5 A or more
Power Input (Max.)	25 W
Ambient Temperature	0-50°C (32-122°F)
Ambient Humidity	90%RH or less
External Setting Resistance	2 kΩ
Approx. Mass	1.0 kg (2.2 lbs.)

### ■ Instructions

#### ● Power Supply for the Setting Adjuster

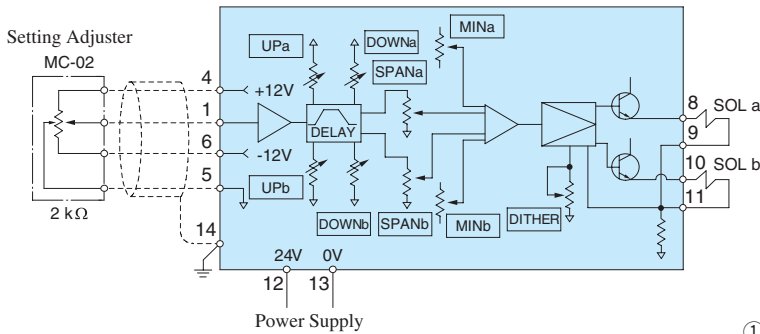
Power supply for the setting adjuster can be provided from this power amplifier, but for only one. However, please use the variable resistor or potentiometre of which impedance is 2 kΩ for the setting adjuster.

#### ● Power Switch

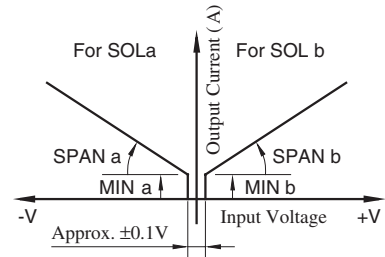
The power amplifier has no power supply switch. As soon as it is connected to a power supply, it comes to be alive. Provide a power switch externally.

SK1091-D24-10

[Example Diagram]



[Input-Output Characteristics]



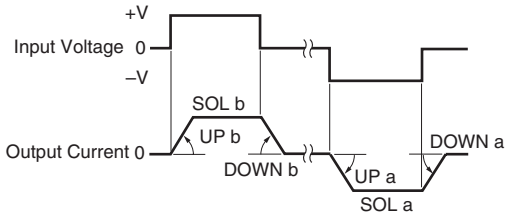
[Delay Function]

● Detail of Terminal Board

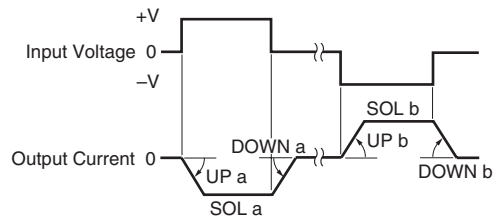
Terminal Number	Name
1	Input Signal IN*
2	Input Signal COM
3	Input Signal IN*
4	Power Supply for Setting Adjuster +12V
5	Power Supply for Setting Adjuster COM
6	Power Supply for Setting Adjuster -12V
7	—
8	Output to Valve Solenoid SOL a
9	Output to Valve Solenoid SOL a
10	Output to Valve Solenoid SOL b
11	Output to Valve Solenoid SOL b
12	Power Supply 24 V
13	Power Supply 0 V
14	Frame Ground FG

★ Three (3) usages are available as shown ① to ③ of “Delay Function” at right hand side for Input signal terminal (IN).

① In case “1” and “2” Input signal terminals are used.



② In case “3” and “2” Input signal terminals are used.



③ In case “1”, “2” and “3” Input signal terminals are used.

