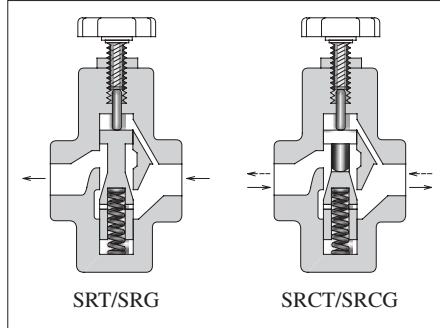
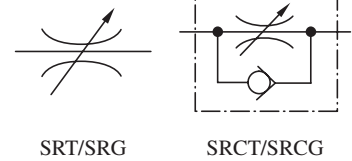


Restrictors / One Way Restrictors

This valve is used to regulate an actuator speed in a circuit where line pressure is almost steady and small fluctuation of oil flow due to pressure changes is permitted. Integrated check valve allows reversed free flow from outlet to inlet port. Pressure balanced construction provides less effort in adjustment at high pressure.



Graphic Symbols



Specifications

| Valve Name | Model Numbers | | Rated Flow* L/min (U.S.GPM) | Max. Operating Pres. MPa (PSI) | Approx. Mass kg (lbs.) | |
|--------------------|----------------------|--------------------|-----------------------------------|-----------------------------------|---------------------------|--------------------|
| | Threaded Connection | Sub-plate Mounting | | | Threaded Connection | Sub-plate Mounting |
| Restrictor | SRT-03-50/5080/5090 | SRG-03-50/5090 | 30 (7.9) | 25 (3630) | 1.5 (3.3) | 2.5 (5.5) |
| | SRT-06-50/5080/5090 | SRG-06-50/5090 | 85 (22.4) | | 3.8 (8.4) | 3.9 (8.6) |
| | SRT-10-50/5080/5090 | SRG-10-50/5090 | 230 (60.7) | | 9.1 (20.1) | 7.5 (16.5) |
| One Way Restrictor | SRCT-03-50/5080/5090 | SRCG-03-50/5090 | 30 (7.9) | 25 (3630) | 1.5 (3.3) | 2.5 (5.5) |
| | SRCT-06-50/5080/5090 | SRCG-06-50/5090 | 85 (22.4) | | 3.8 (8.4) | 3.9 (8.6) |
| | SRCT-10-50/5080/5090 | SRCG-10-50/5090 | 230 (60.7) | | 9.1 (20.1) | 7.5 (16.5) |

*Rated flow stands for approximate flow rate when the pressure drop between inlet and outlet ports of the valve in fully opened condition becomes 0.3 MPa (44 PSI) maximum at fluid's specific gravity of 0.85 and kinematic viscosity of 20 mm²/s (98 SSU).

Yuken can offer flanged connection valves described below.

For details, contact us.

| Model Numbers | Rated Flow L/min (U.S.GPM) | Max. Operating Pressure MPa (PSI) |
|------------------------------------|----------------------------------|--------------------------------------|
| SRF/SRCF-10-50 SRF/SRCF-10-5090 | 230 (60.7) | 25 (3630) |
| SRF/SRCF-16-50 SRF/SRCF-16-5090 | 500 (132) | |

Model Number Designation

| F- | SR | T | -03 | -50 | * |
|---|-----------------------------------|-------------------------------|------------|---------------|--|
| Special Seals | Series Number | Type of Mounting | Valve Size | Design Number | Design Standards |
| F: Special Seals for Phosphate Ester Type Fluids (Omit if not required) | SR: Restrictor | T: Threaded Connection | 03 | 50 | None: Japanese Std. "JIS" 80: European Design Std. 90: N.American Design Std. |
| | | | 06 | 50 | |
| | | | 10 | 50 | |
| | | G: Sub-plate Mounting | 03 | 50 | |
| | | | 06 | 50 | |
| | | | 10 | 50 | |
| | SRC: One Way Restrictor | T: Threaded Connection | 03 | 50 | None: Japanese Std. "JIS" 80: European Design Std. 90: N.American Design Std. |
| | | | 06 | 50 | |
| | | | 10 | 50 | |
| | | G: Sub-plate Mounting | 03 | 50 | |
| | | | 06 | 50 | |
| | | | 10 | 50 | |

Attachment

● Mounting Bolts

| Valve Model Numbers | Socket Head Cap Screw | | Qty. |
|---------------------|--|-------------------------|------|
| | Japanese Std. "JIS" and European Design Std. | N. American Design Std. | |
| SRG/SRCG-03 | M10 × 45 Lg. | 3/8-16 UNC × 1-3/4 Lg. | 4 |
| SRG/SRCG-06 | M10 × 50 Lg. | 3/8-16 UNC × 2 Lg. | 4 |
| SRG/SRCG-10 | M10 × 55 Lg. | 3/8-16 UNC × 2-1/4 Lg. | 6 |

Instructions

● Flow Adjustment

Slacken the lock nut and turn the flow adjustment handle anti-clockwise to throttle flow. After achieving satisfactory performance tighten the lock nut.

Sub-plate

| Valve Model Numbers | Japanese Standard "JIS" | | European Design Standard | | N. American Design Standard | | Approx. Mass kg (lbs.) |
|---------------------|-------------------------|-------------|--------------------------|-------------|-----------------------------|-------------|------------------------|
| | Sub-plate Model Numbers | Thread Size | Sub-plate Model Numbers | Thread Size | Sub-plate Model Numbers | Thread Size | |
| SRG SRCG-03 | CRGM-03-50 | Rc 3/8 | CRGM-03-5080 | 3/8 BSP.F | CRGM-03-5090 | 3/8 NPT | 1.6 (3.5) |
| | CRGM-03X-50 | Rc 1/2 | CRGM-03X-5080 | 1/2 BSP.F | CRGM-03X-5090 | 1/2 NPT | 1.6 (3.5) |
| SRG SRCG-06 | CRGM-06-50 | Rc 3/4 | CRGM-06-5080 | 3/4 BSP.F | CRGM-06-5090 | 3/4 NPT | 2.4 (5.3) |
| | CRGM-06X-50 | Rc 1 | CRGM-06X-5080 | 1 BSP.F | CRGM-06X-5090 | 1 NPT | 3.0 (6.6) |
| SRG SRCG-10 | CRGM-10-50 | Rc 1-1/4 | CRGM-10-5080 | 1-1/4 BSP.F | CRGM-10-5090 | 1-1/4 NPT | 4.8 (10.6) |
| | CRGM-10X-50 | Rc 1-1/2 | CRGM-10X-5080 | 1-1/2 BSP.F | CRGM-10X-5090 | 1-1/2 NPT | 5.7 (12.6) |

- Sub-plates are available. Specify the sub-plate model number from the table above. When sub-plates are not used, the mounting surface should have a good machined finish.
- Sub-plates are common with right angle check valves. For dimensions, see [page 502](#).

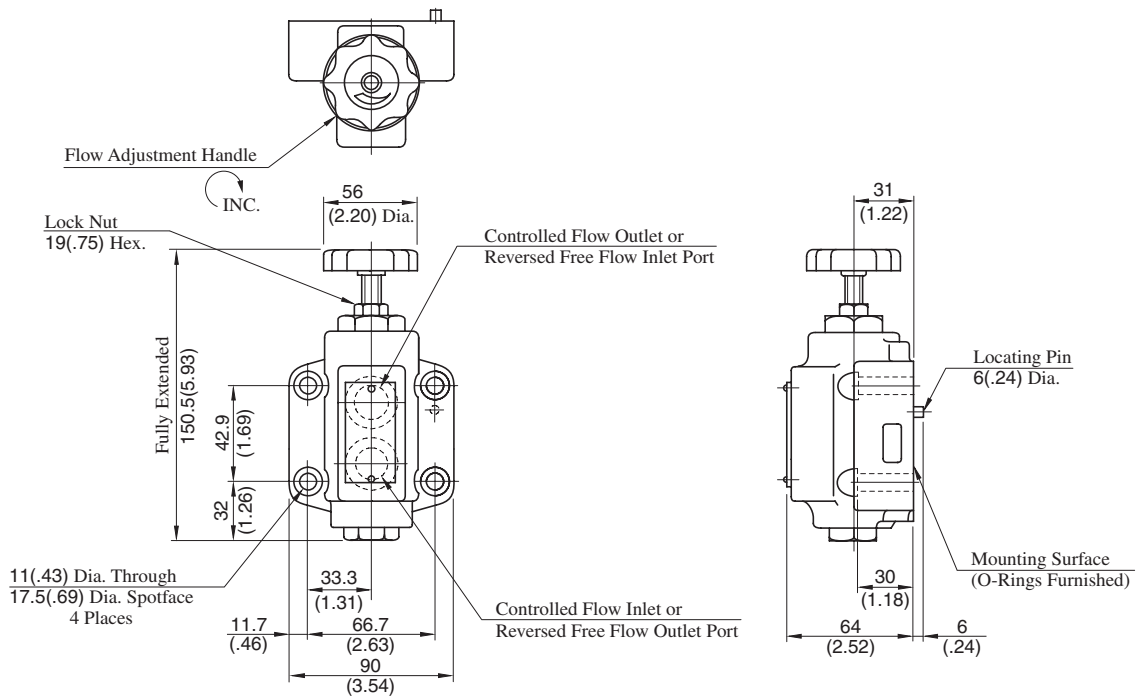
SRT/SRCT-03-50/5080/5090
SRT/SRCT-06-50/5080/5090
SRT/SRCT-10-50/5080/5090

DIMENSIONS IN MILLIMETRES (INCHES)

| Model Numbers | Dimensions mm (Inches) | | | | | | | | Thd. Size "N" Thd. |
|------------------|------------------------|--------------|--------------|-----------------|----------------|-------------------|--------------|--------------|-----------------------|
| | C | D | E | F | H | J | K | L | |
| SRT/SRCT-03-50 | 72 (2.83) | 36 (1.42) | 44 (1.73) | 150.5 (5.93) | 53.5 (2.11) | 38 (1.50) Dia. | 46 (1.81) | 22 (.87) | Rc 3/8 |
| SRT/SRCT-03-5080 | | | | | | | | | 3/8 BSP.F |
| SRT/SRCT-03-5090 | | | | | | | | | 3/8 NPT |
| SRT/SRCT-06-50 | 100 (3.94) | 50 (1.97) | 58 (2.28) | 180 (7.09) | 66.5 (2.62) | 62 (2.44) Sq. | 64 (2.52) | 31 (1.22) | Rc 3/4 |
| SRT/SRCT-06-5080 | | | | | | | | | 3/4 BSP.F |
| SRT/SRCT-06-5090 | | | | | | | | | 3/4 NPT |
| SRT/SRCT-10-50 | 138 (5.43) | 69 (2.72) | 80 (3.15) | 227 (8.94) | 86 (3.39) | 80 (3.15) Sq. | 82 (3.23) | 40 (1.57) | Rc 1-1/4 |
| SRT/SRCT-10-5080 | | | | | | | | | 1-1/4 BSP.F |
| SRT/SRCT-10-5090 | | | | | | | | | 1-1/4 NPT |

SRG/SRCG-03-50/5090

Mounting surface: ISO5781-AG-06-2-A

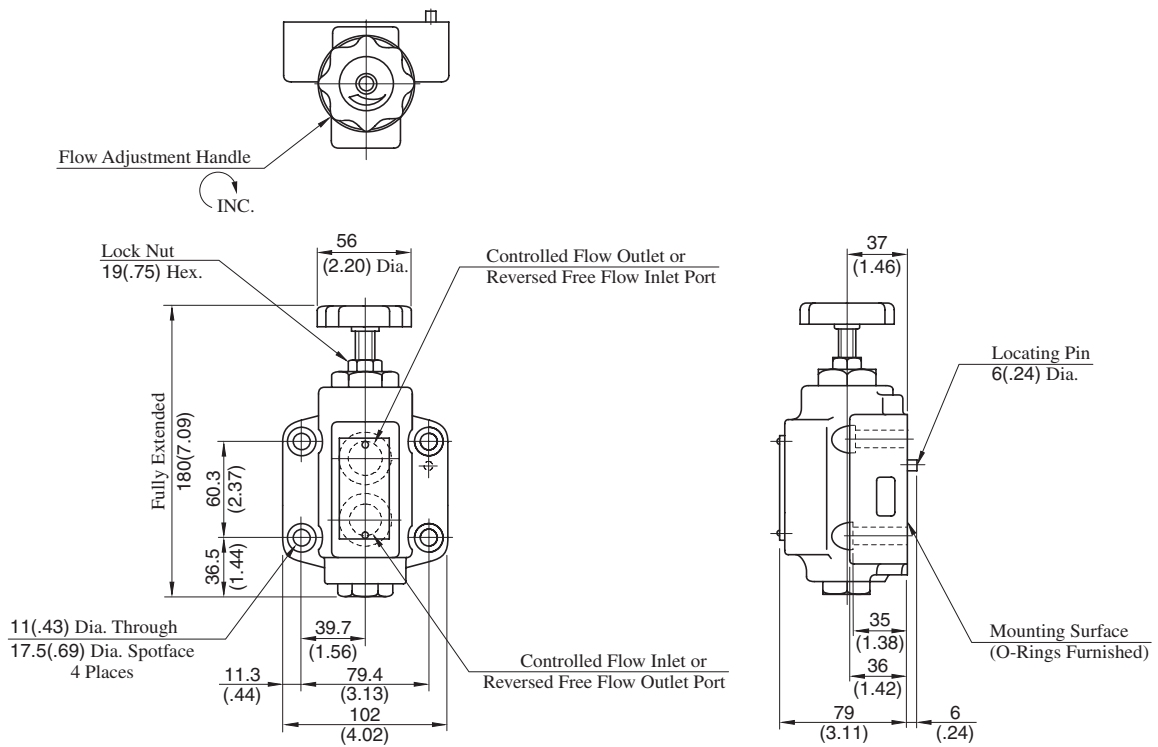


Note: For dimensions of the valve mounting surface, see the dimensional drawing (P.502) of the sub-plate used together.

DIMENSIONS IN
MILLIMETRES (INCHES)

SRG/SRCG-06-50/5090

Mounting surface: ISO5781-AH-08-2-A



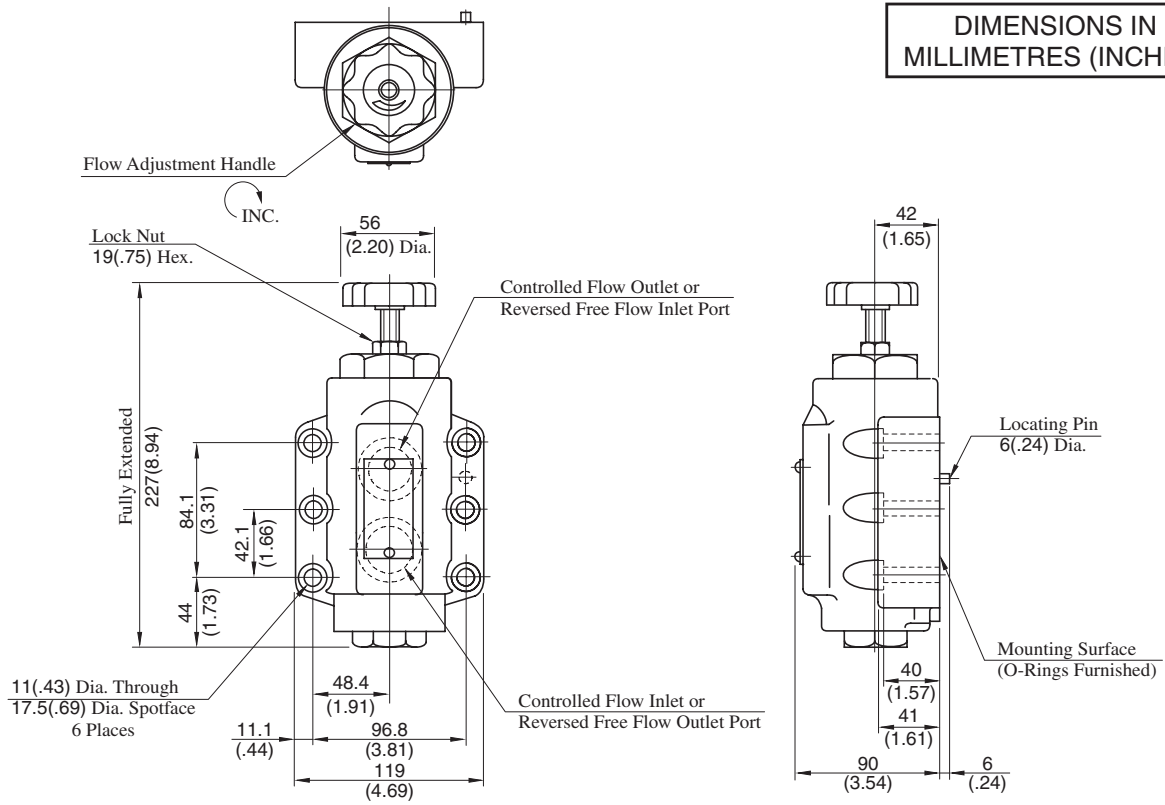
Note: For dimensions of the valve mounting surface, see the dimensional drawing (P.502) of the sub-plate used together.

D
Restrictors
One Way Restrictors

SRG/SRCG-10-50/5090

Mounting surface: ISO 5781-AJ-10-2-A

**DIMENSIONS IN
MILLIMETRES (INCHES)**



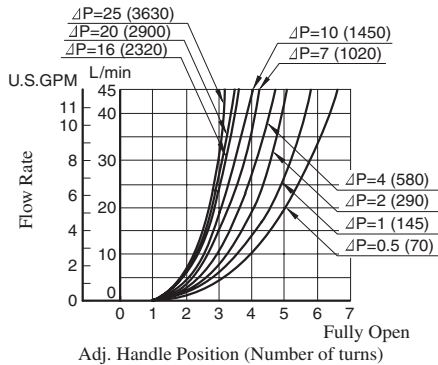
Note: For dimensions of the valve mounting surface, see the dimensional drawing (P.502) of the sub-plate used together.

Metred Flow vs Adjustment Handle Revolutions

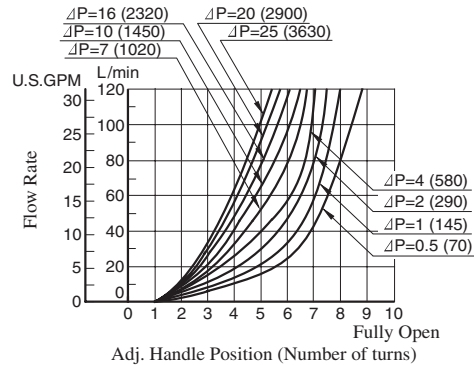
Hydraulic Fluid: Viscosity 30 mm²/s (141 SSU), Specific Gravity 0.850

ΔP: Differential Pressure MPa (PSI)

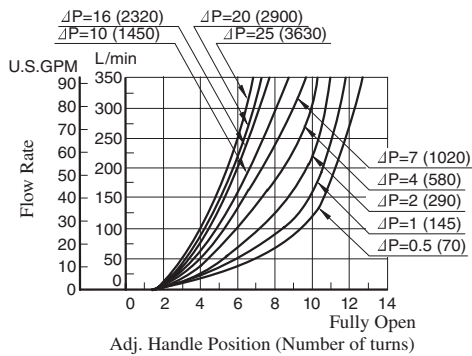
SRT SRG-03, SRCT SRCG-03



SRT SRG-06, SRCT SRCG-06



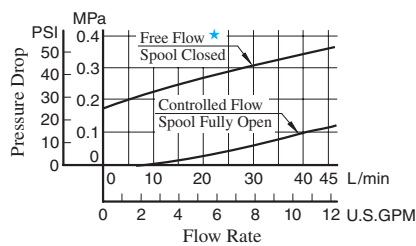
SRT SRG-10, SRCT SRCG-10



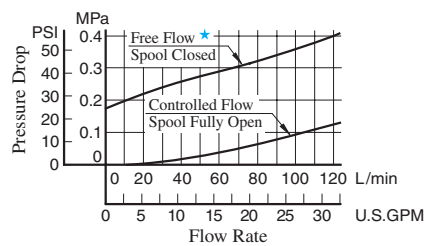
Pressure Drop

Hydraulic Fluid: Viscosity 30 mm²/s (141 SSU), Specific Gravity 0.850

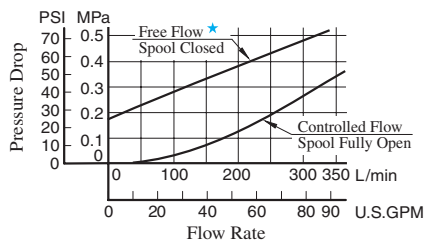
SRT SRG-03, SRCT SRCG-03



SRT SRG-06, SRCT SRCG-06



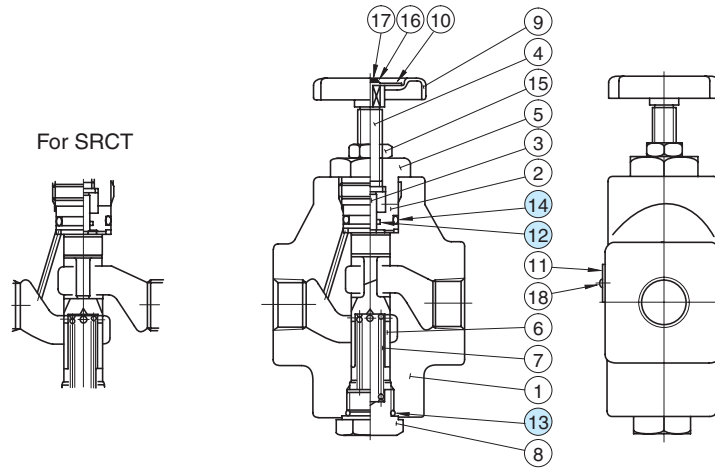
SRT SRG-10, SRCT SRCG-10



★ Applicable only for one way restrictor (Model No. SRC*)

■ List of seals

SRT/SRCT-03-50/5080/5090
 SRT/SRCT-06-50/5080/5090
 SRT/SRCT-10-50/5080/5090



● List of Seals

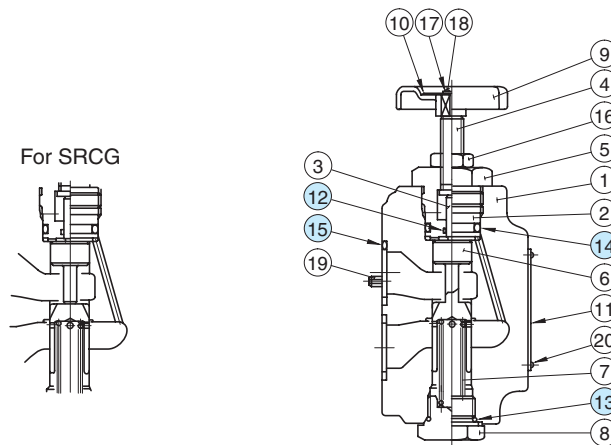
| Item | Name of Parts | Part Numbers | | | Qty. |
|------|---------------|----------------|----------------|----------------|------|
| | | SRT SRCT-03 | SRT SRCT-06 | SRT SRCT-10 | |
| 12 | O-Ring | SO-NB-P7 | SO-NB-P7 | SO-NB-P7 | 1 |
| 13 | O-Ring | SO-NB-P15 | SO-NB-P21 | SO-NB-P29 | 1 |
| 14 | O-Ring | SO-NB-P20 | SO-NB-P22.4 | SO-NB-P36 | 1 |

● List of Seal Kits

| Valve Model Numbers | Seal Kit Numbers |
|---------------------|------------------|
| SRT/SRCT-03 | KS-SRT-03-50 |
| SRT/SRCT-06 | KS-SRT-06-50 |
| SRT/SRCT-10 | KS-SRT-10-50 |

Note: When ordering the seals, please specify the seal kit number from the table right.

SRG/SRCG-03-50/5090
 SRG/SRCG-06-50/5090
 SRG/SRCG-10-50/5090



● List of Seals

| Item | Name of Parts | Part Numbers | | | Qty. |
|------|---------------|----------------|----------------|----------------|------|
| | | SRG SRCG-03 | SRG SRCG-06 | SRG SRCG-10 | |
| 12 | O-Ring | SO-NB-P7 | SO-NB-P7 | SO-NB-P7 | 1 |
| 13 | O-Ring | SO-NB-P15 | SO-NB-P21 | SO-NB-P29 | 1 |
| 14 | O-Ring | SO-NB-P20 | SO-NB-P22.4 | SO-NB-P36 | 1 |
| 15 | O-Ring | SO-NB-P18 | SO-NB-P28 | SO-NB-P32 | 2 |

● List of Seal Kits

| Valve Model Numbers | Seal Kit Numbers |
|---------------------|------------------|
| SRG/SRCG-03 | KS-SRG-03-50 |
| SRG/SRCG-06 | KS-SRG-06-50 |
| SRG/SRCG-10 | KS-SRG-10-50 |

Note: When ordering the seals, please specify the seal kit number from the table right.